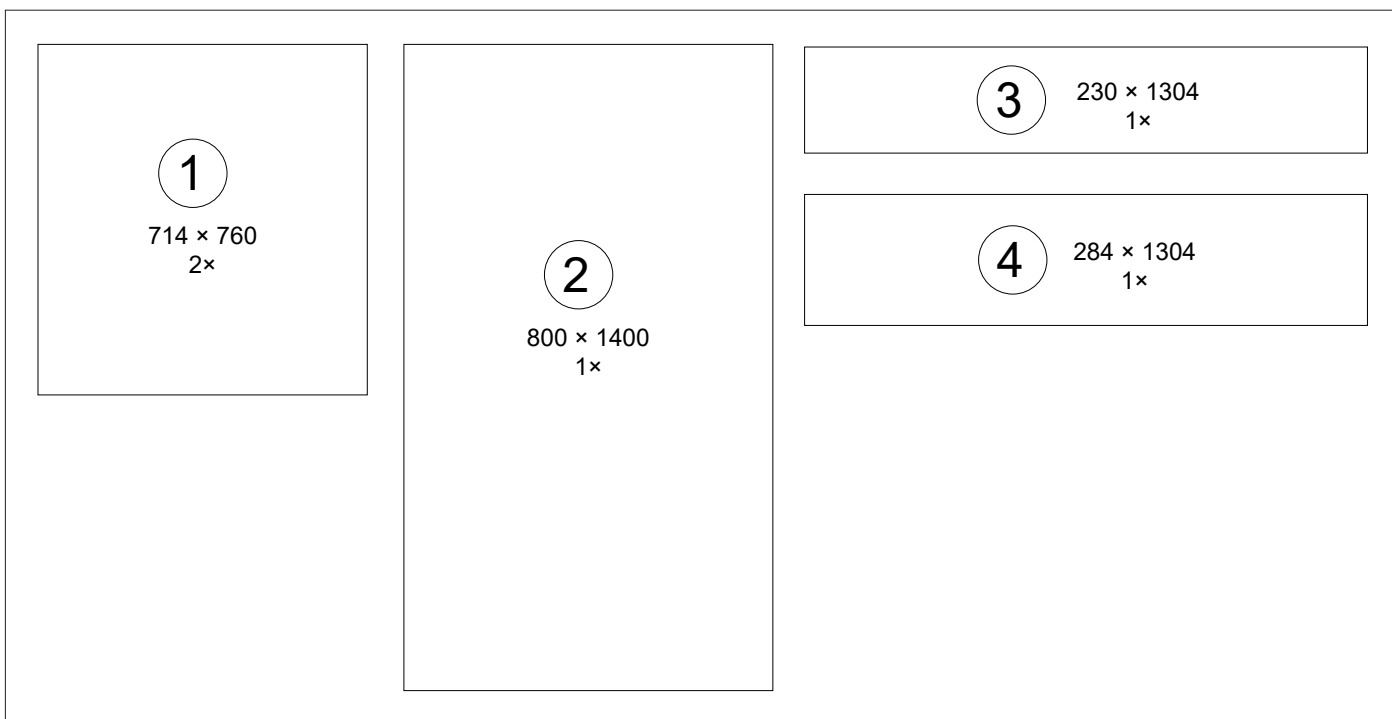
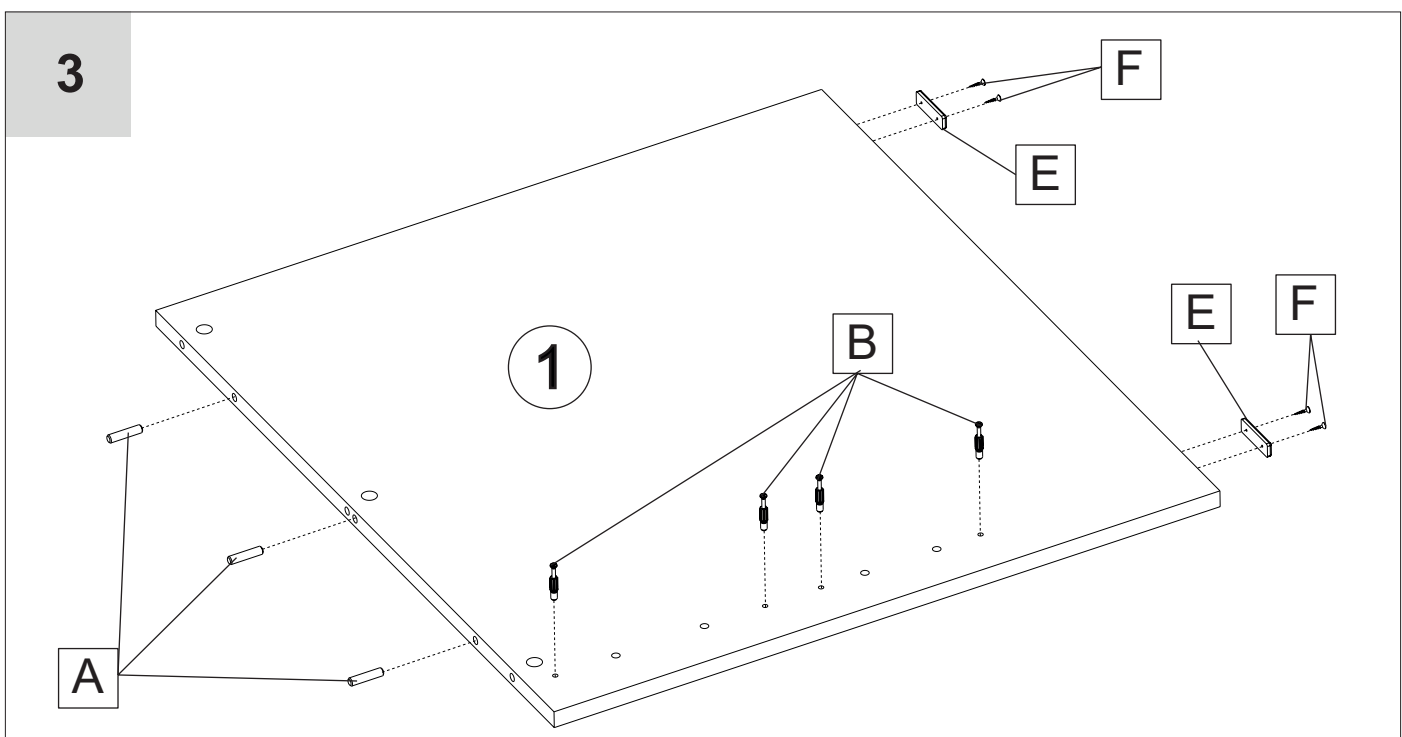
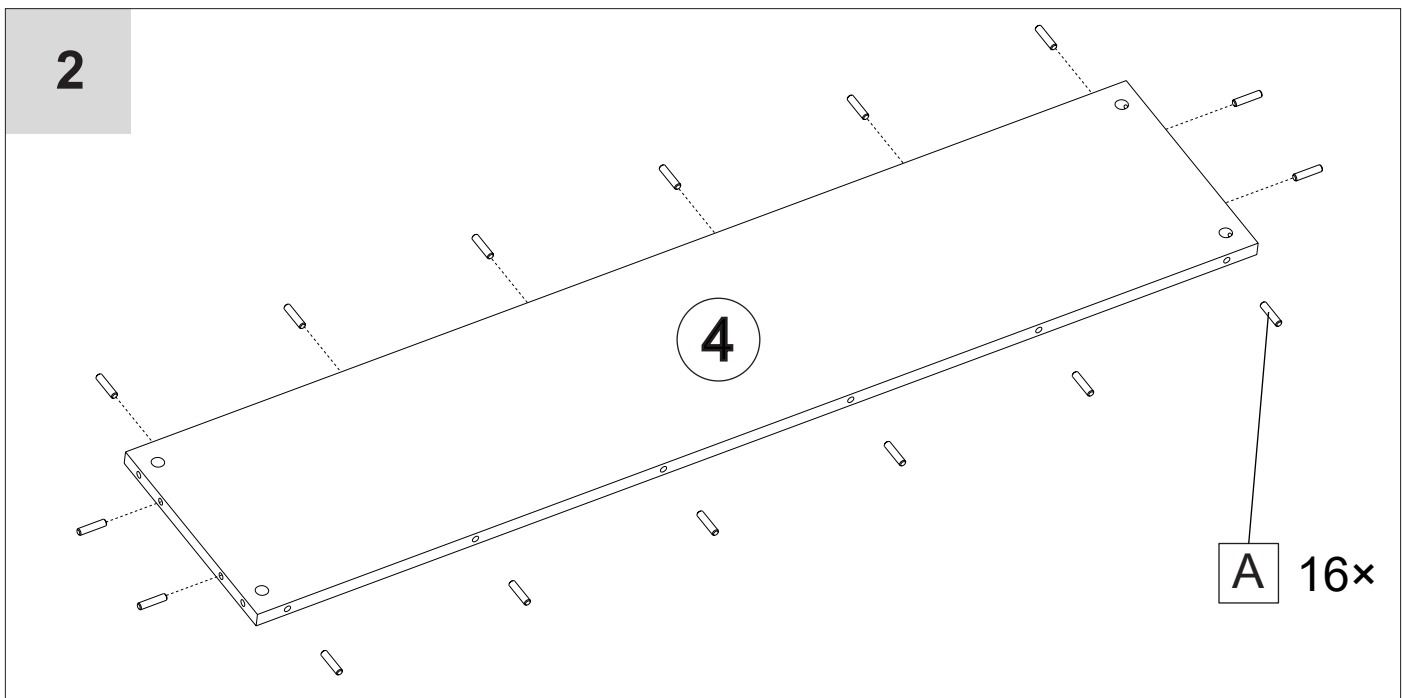
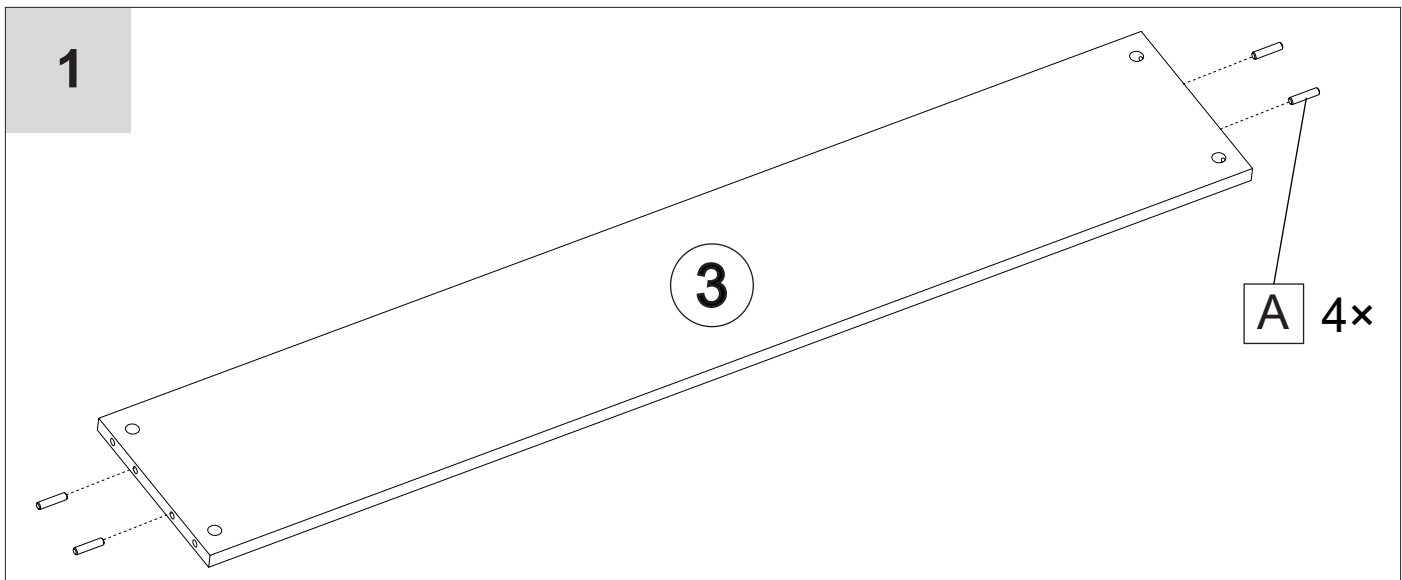
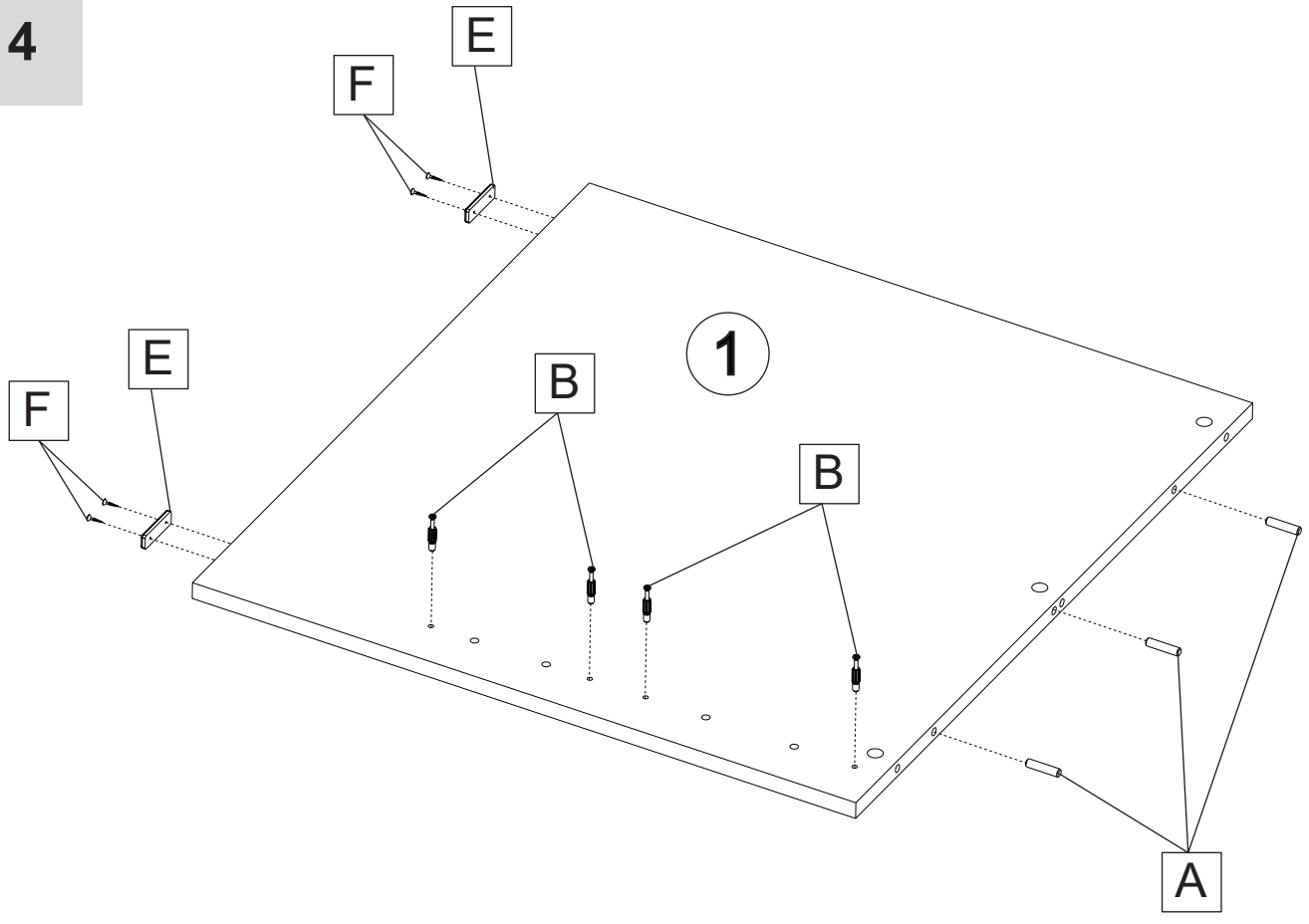

Ø8 × 35				Ø3,5 × 16
A 22×	B 14×	C 14×	E 4×	F 8×

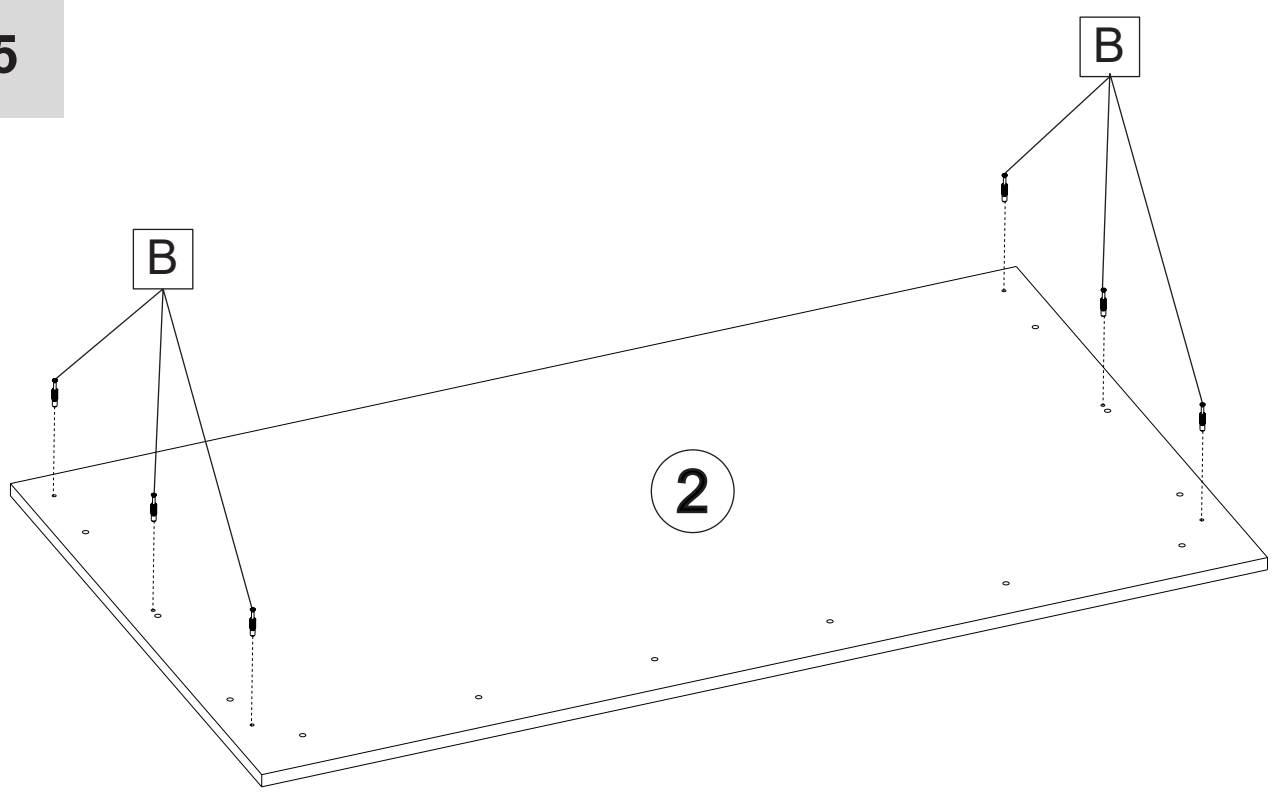




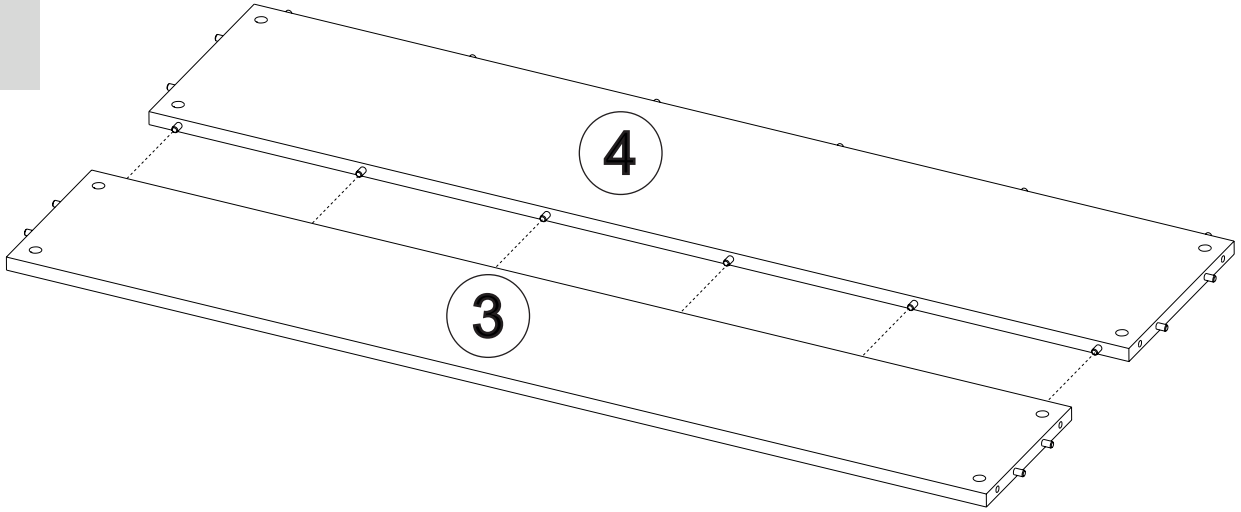
4



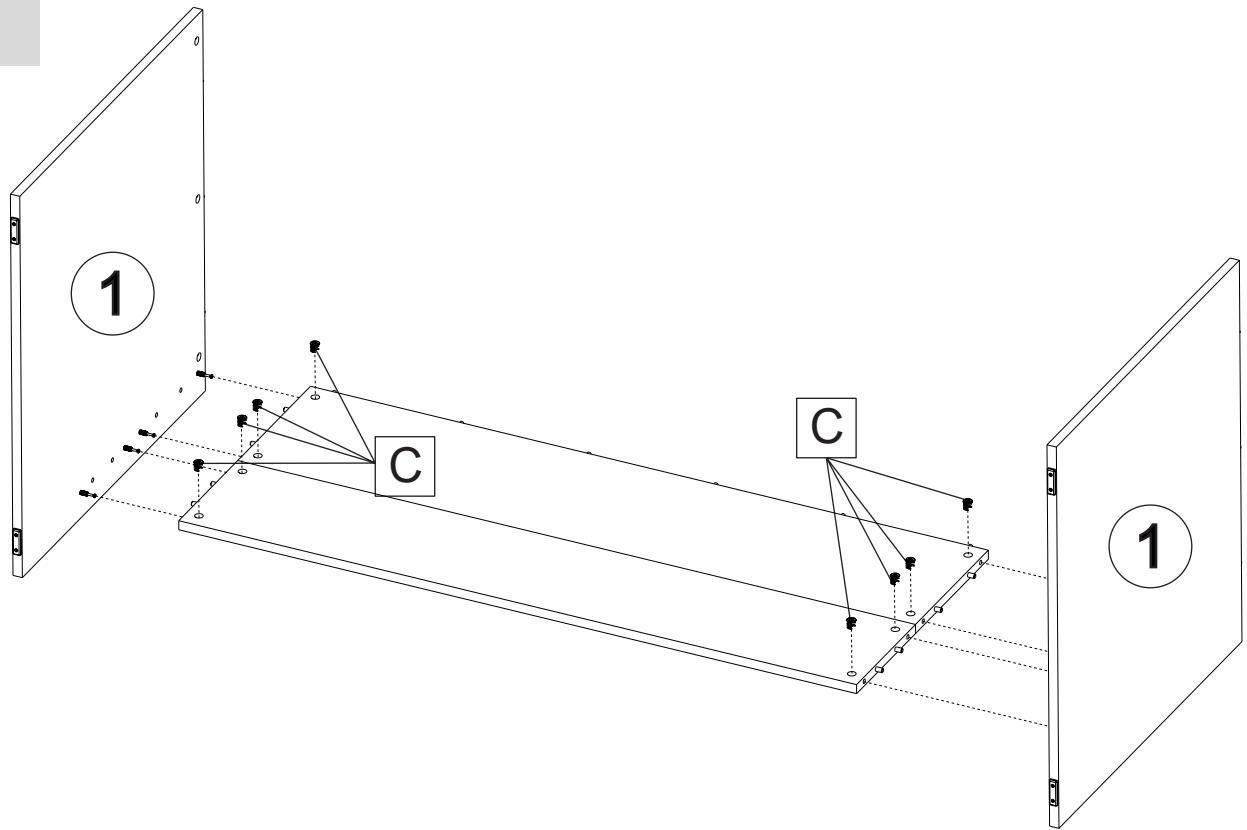
5



6



7



8

